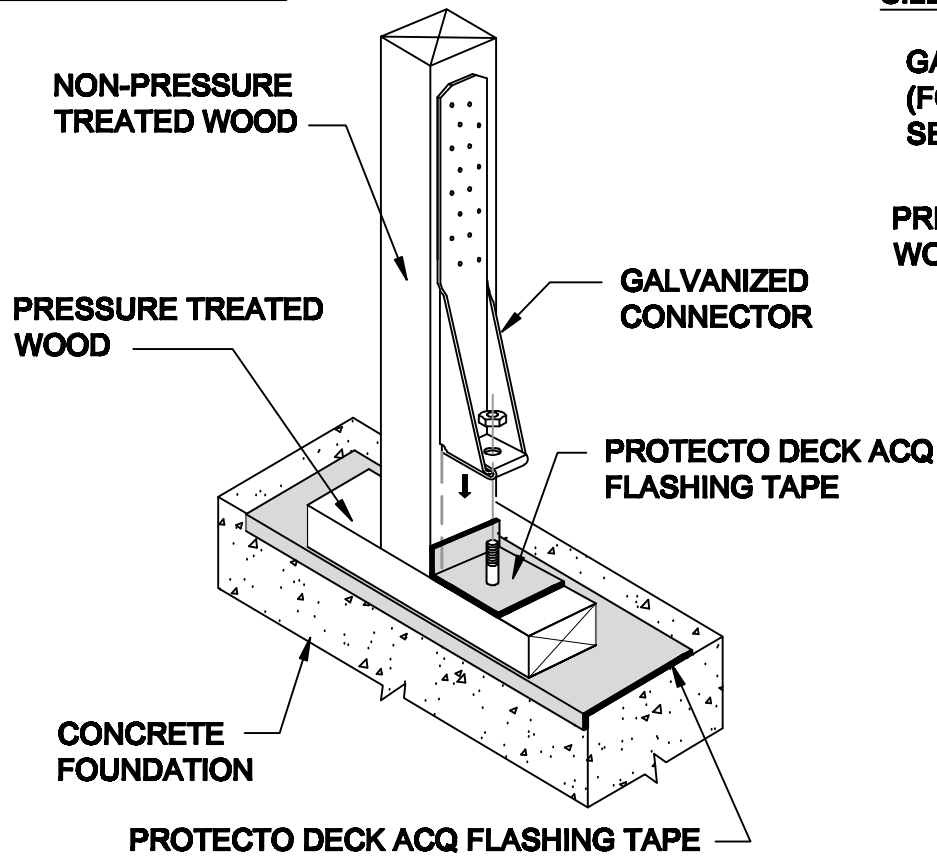
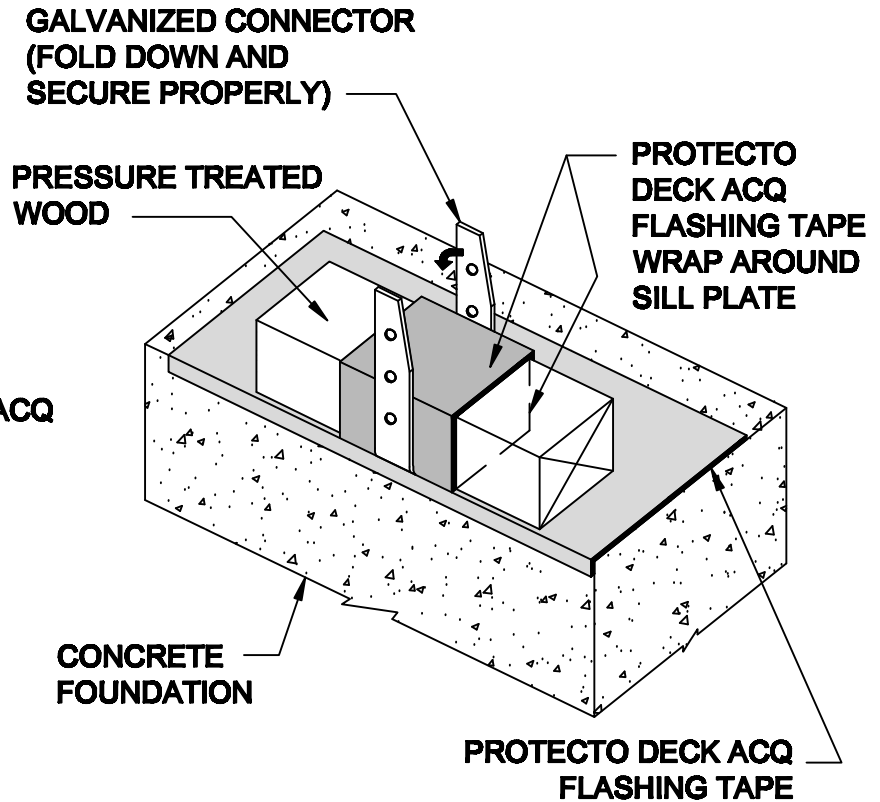


TENSION TIE-DOWNS



SILL PLATE CONNECTORS



1. Visit Protectowrap.com for the most current information
2. Refer to Technical Data sheet for more information
3. Protecto Wrap Underlaments should be installed to form water-shedding laps
4. If Protecto Deck ACQ Flashing Tape is to be exposed to UV, Protecto Deck ACQ Flashing Tape should be trimmed flush to galvanized conector to prevent UV exposure

**CORROSION RESISTANCE FOR GALVANIZED
CONNECTORS
PROTECTO DECK ACQ FLASHING TAPE**



EFFECTIVE DATE: 02/13/10
SUPERSEDES:
SCALE: NOT TO SCALE
DRAWING: PW309