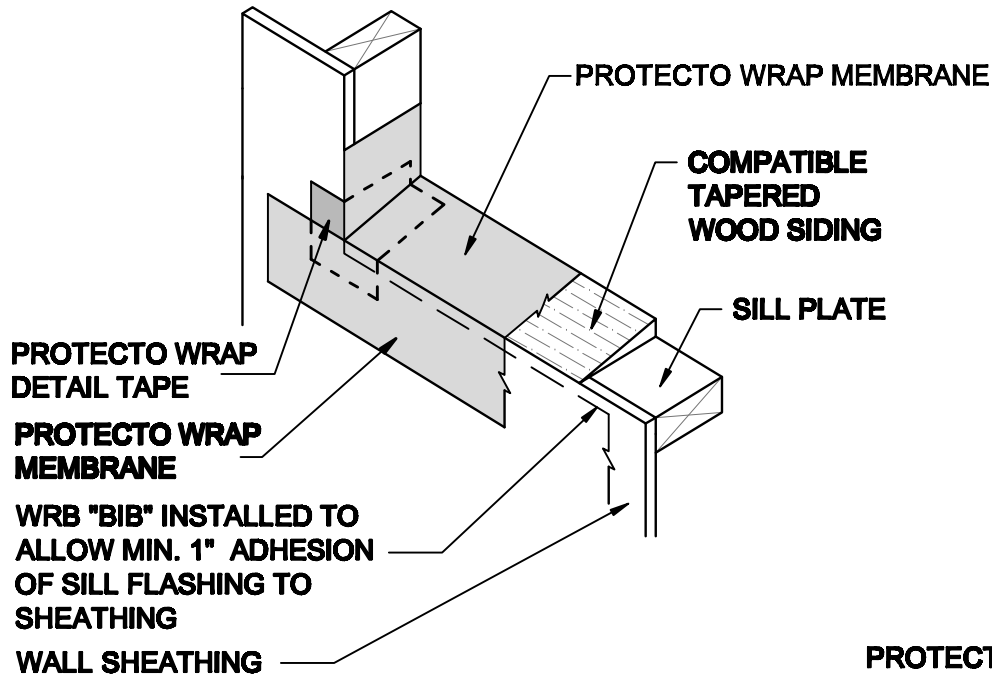
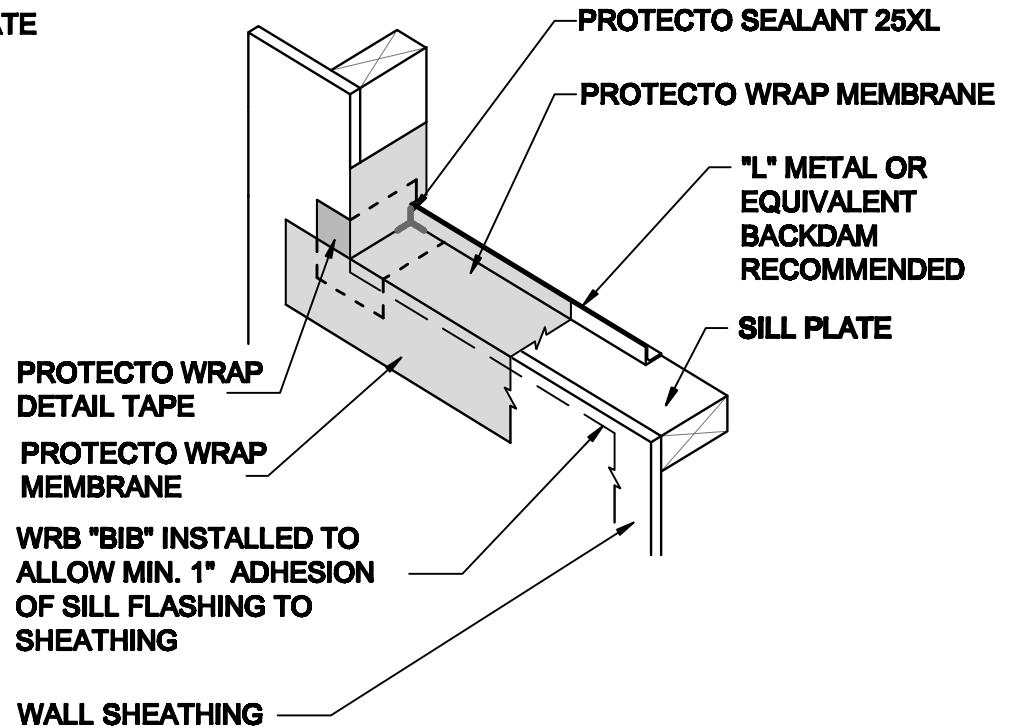


**OPTION A**



**OPTION B**



1. Visit [Protectowrap.com](http://Protectowrap.com) for the most current information
2. Refer to Technical Data sheet for more information
3. Protecto Wrap Underlayments should be installed to form water-shedding laps
4. Protecto Wrap Company recommends an interior air seal when using these options

WINDOW SILL PAN  
OPTIONS  
A & B



EFFECTIVE DATE: 09/03/09  
SUPERSEDES:  
SCALE: NOT TO SCALE  
DRAWING: PW607