



PROTECTO WALL VP™ INSTALLATION INSTRUCTIONS

Appendix “A” Advanced Rough Opening Flashing Methods

GENERAL NOTES:

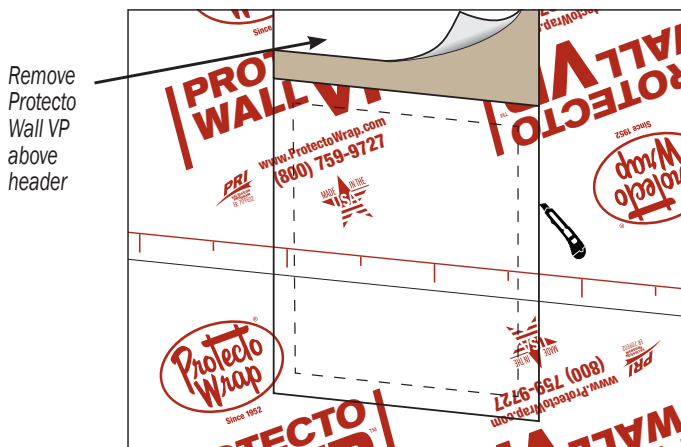
Refer to the Protecto Wall VP Standard Installation Instructions for general information on the installation of Protecto Wall VP to the structure.

Information contained in this Appendix A is for Advanced Flashing Methods for Commercial Projects or any project requiring pre or post flashing using our PS45 Butyl Flashing with direct adhesion to the sheathing.

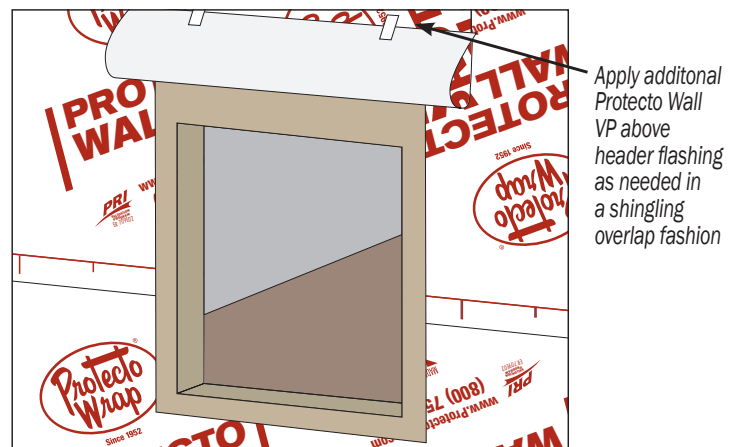
Accessory Products required for the Advanced Flashing Method are as follows:

- Approved Protecto Wrap Primers (for best adhesion over Protecto Wall VP, apply a heavy coat)
 - Protecto Tak Spray Primer
 - Universal Primer
 - BT Primer
- Flashing
 - PS45 Butyl
 - Super Stick can be used as an alternate on projects where PS45 Butyl is not required
 - Note: Super Stick does not require Primer
 - Sill Pan Flash Butyl
- Sealant
 - Protecto Sealant 25XL
 - Approved Alternate Sealants
 - Dow 758
 - Geocell 2300
 - Contact Technicalsupport@protectowrap.com (817) 296-7527 to discuss other possible options.

Step by Step Installation Instructions for the Advanced Flashing Method are indicated in the following images.



1. Cut the Protecto Wall VP 2" beyond the rough opening at the sill, jambs and a minimum of 6" above the header. Remove the Protecto Wall VP to expose the sheathing from the rough opening out to the cut lines.



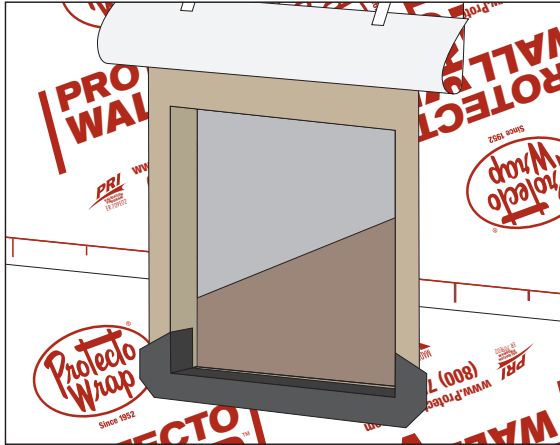
2. Align a piece of 12" wide Detail Strip that is 18" longer than the rough opening width above above the header leaving the 6" release liner at the bottom edge in place and fold back to temporarily leave the sheathing exposed.

Option: Where possible align bottom of Protecto Wall VP with top of window and leave 6" wide release liner on until window is flashed.



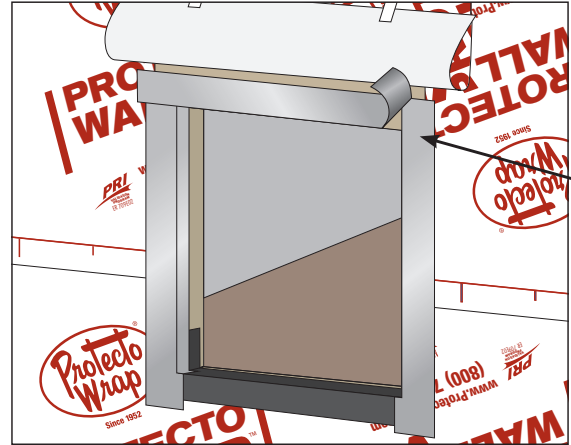
PROTECTO WALL VP™ INSTALLATION INSTRUCTIONS

APPENDIX "A" ADVANCED ROUGH OPENING FLASHING METHODS TO THE INSTALLATION INSTRUCTIONS (Flashing of Rough Opening to Substrate Prior to Window Installation and Post Flashing After Window Installation)

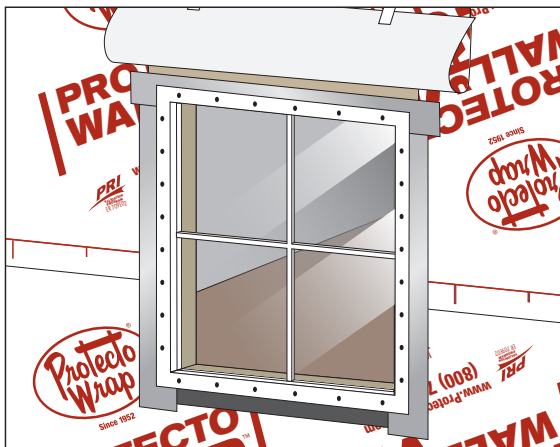


3. Install Protecto Sill Pan Flash with a heavy coat of Protecto Wrap Primer.

Note: For door rough openings use Protecto Wrap Dual Guard at the threshold in lieu of Sill Pan Flash Butyl.



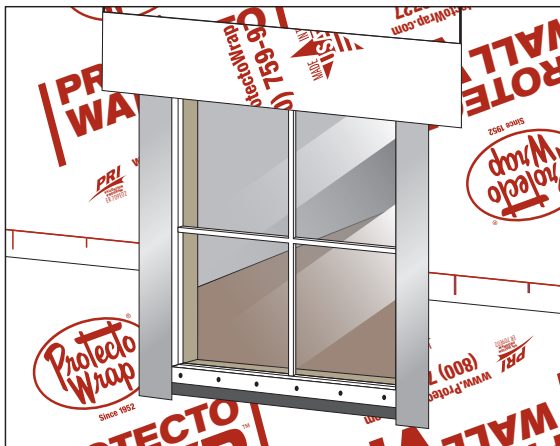
4. Apply PS45 Butyl Flashing with a heavy coat of Protecto Wrap Primer at jambs with a minimum of 4" on the outer face of sheathing and a minimum of 2" into the rough opening. Do the same across the header and overlap the jamb flashings. Roll into place to ensure good adhesion.



5. Apply Protecto Sealant 25XL to the back side of the window nailing fins at the jambs and header and install the window with fasteners. Remove any excess sealant from beyond the edges of the fins and allow residue to dry before post flashing is applied.



6. Post Flash over the window fins with PS45 Butyl Flashing with a heavy coat of Protecto Wrap Primer at jambs and then across the header overlapping the jamb flashings. Roll to ensure good adhesion.



7. After the window has been flashed, un-tape the horizontal piece of Protecto Wall VP above the header, remove the release liner and fold down into position to cover over the header flashing. Roll the Protecto Wall VP into place to assure good adhesion. This completes the Flashing Installation.

PROTECTO WRAP COMPANY
1955 South Cherokee Street, Denver, CO 80223
(800) 759-9727 · www.ProtectoWrap.com