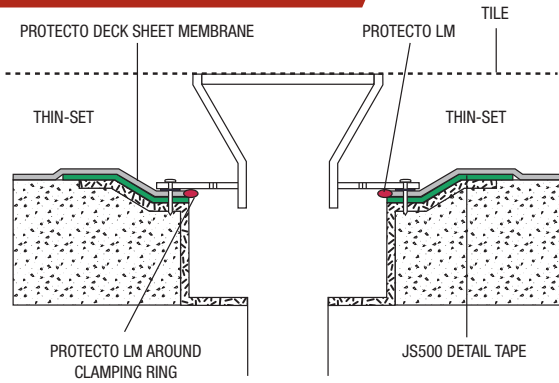


PROTECTO DECK™ Drain Installation Steps



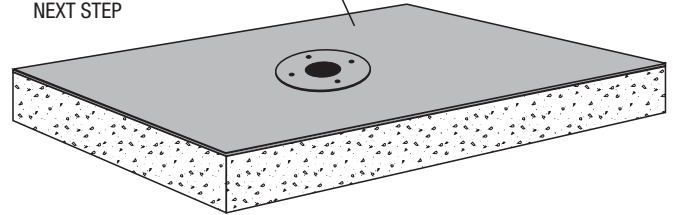
STEP 1



Tie-in Protecto Deck Membrane with clamping ring style drains. Drain flanges should be secure to the deck and fully supported.

STEP 2

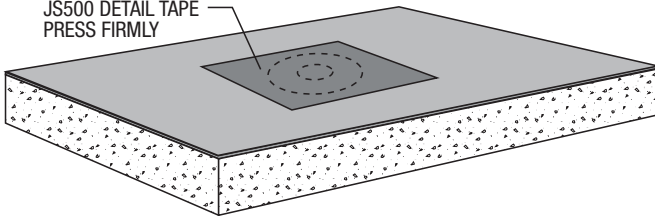
USE UNIVERSAL OR #80 PRIMER
ALLOW TO DRY PRIOR TO
NEXT STEP



Prime drain flange and surrounding area and allow to cure.

STEP 3

JS500 DETAIL TAPE
PRESS FIRMLY

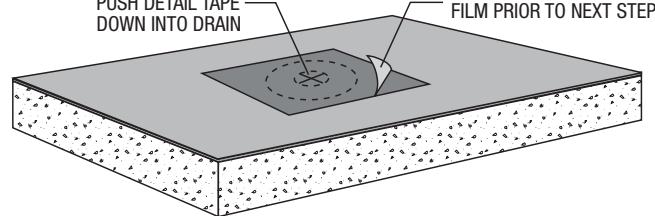


Adhere JS500 Detail Tape over drain and at least 6" past all perimeter edges.

STEP 4

CUT "X" THEN
PUSH DETAIL TAPE
DOWN INTO DRAIN

REMOVE TOP RELEASE
FILM PRIOR TO NEXT STEP

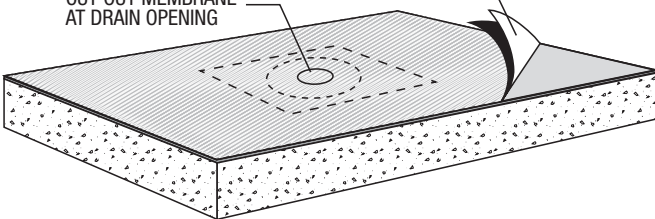


Cut an "X" in the Detail Tape at the center of the drain hole and then remove the topside release film.

STEP 5

REMOVE RELEASE PAPER
AS MEMBRANE IS APPLIED

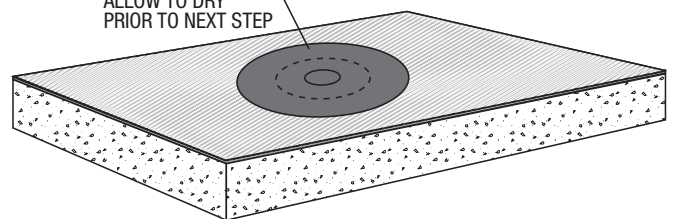
CUT OUT MEMBRANE
AT DRAIN OPENING



Apply the Protecto Deck Membrane and firmly press the Membrane to assure good adhesion to substrate and to Detail Tape.

STEP 6

PROTECTO LM
ALLOW TO DRY
PRIOR TO NEXT STEP



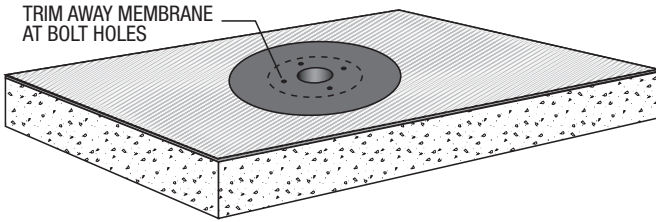
Apply Protecto LM to seal edge at the Drain Opening and 4" out onto the Membrane.

PROTECTO DECK™ Drain Installation Steps



STEP 7

TRIM AWAY MEMBRANE
AT BOLT HOLES



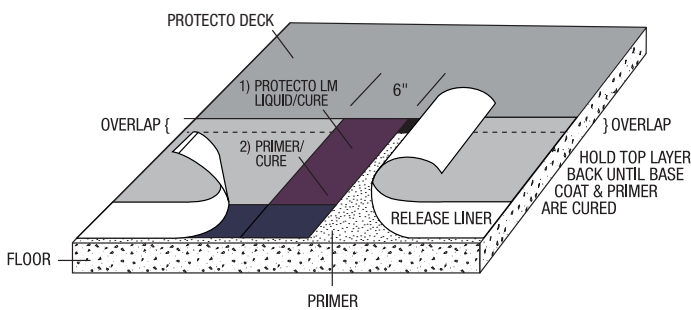
Trim away Membrane above bolt holes and insert the bolts loosely. Set the clamping ring in place and tighten the bolts to sandwich the Membrane.

GENERAL NOTES

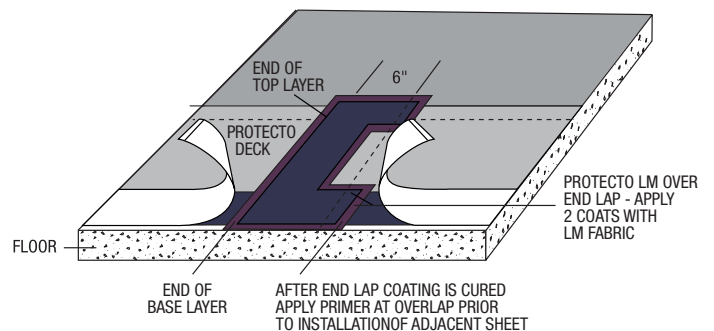
- Confirm all weep holes in the clamping ring are clear to allow for drainage and protect from mortar clogging openings.
- Confirm watertight connection during Flood Testing process prior to installation of the tile. Refer to the Protecto Deck Installation Instructions for Flood Testing information.
- See Protecto Deck Installation Instructions for suitable substrates.
- Substrate to be slope 1/4" per foot to drain prior to installation of Protecto Deck Membrane.
- Avoid Protecto Deck Membrane overlaps in drain area.

PROTECTO DECK™ End Lap and T-Joint Details

End Lap/T-Joint



STEP 1



STEP 2