

PROTECTO DECK™

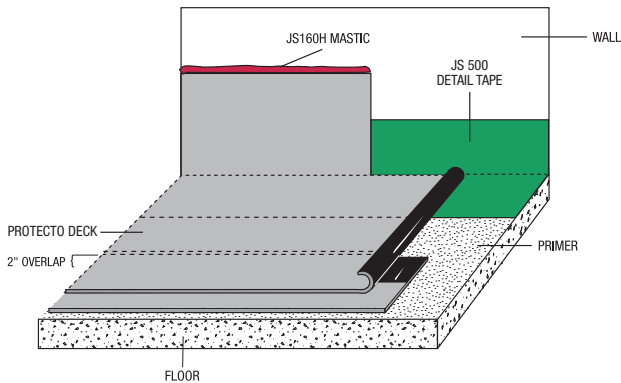
Peel and Stick Waterproof System for Tile



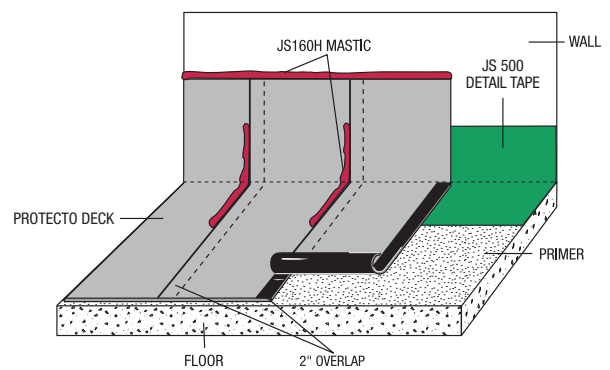
ALTERNATE DETAILING METHODS

Using JS 500 Detail Tape and JS160H Mastic

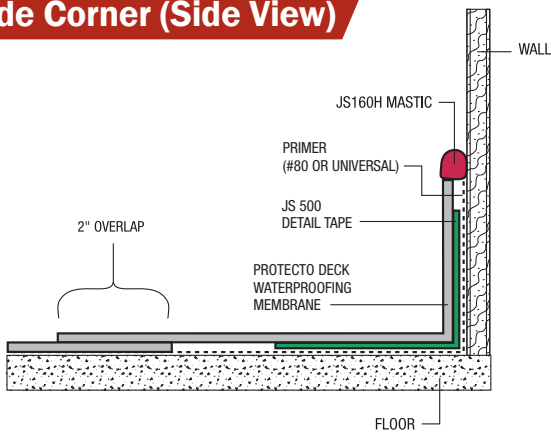
Front View #1



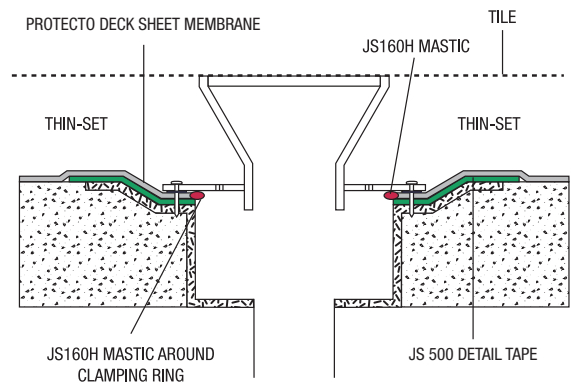
Front View #2



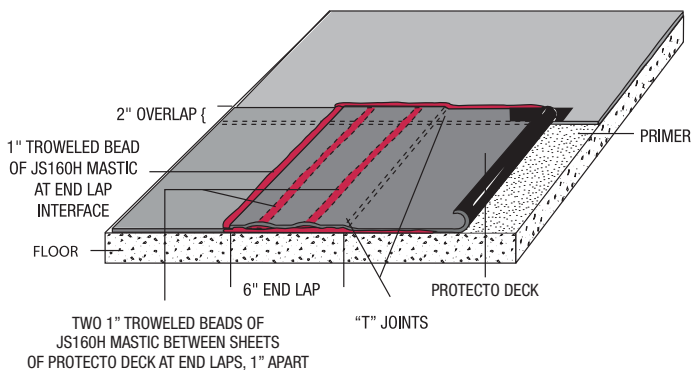
Inside Corner (Side View)



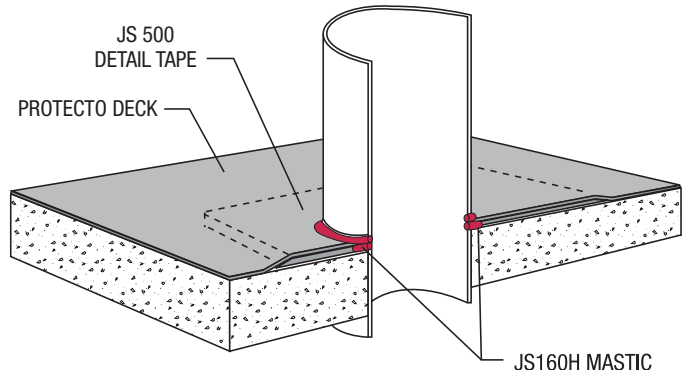
Drain Detail



End Lap/T-Joint



Post & Protrusion



PROTECTO DECK™

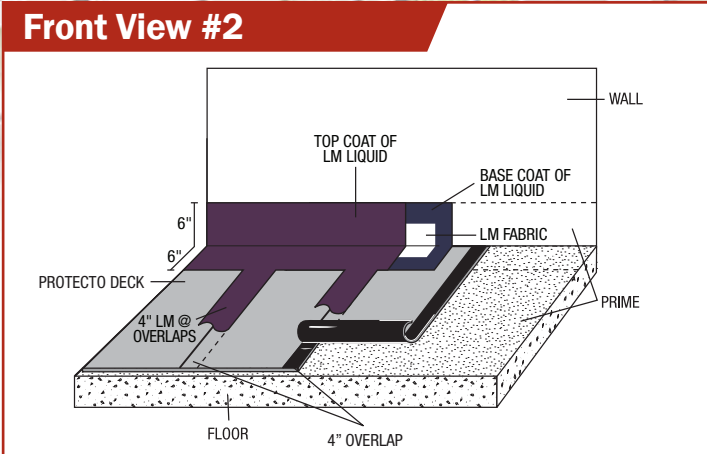
Peel and Stick Waterproof System for Tile



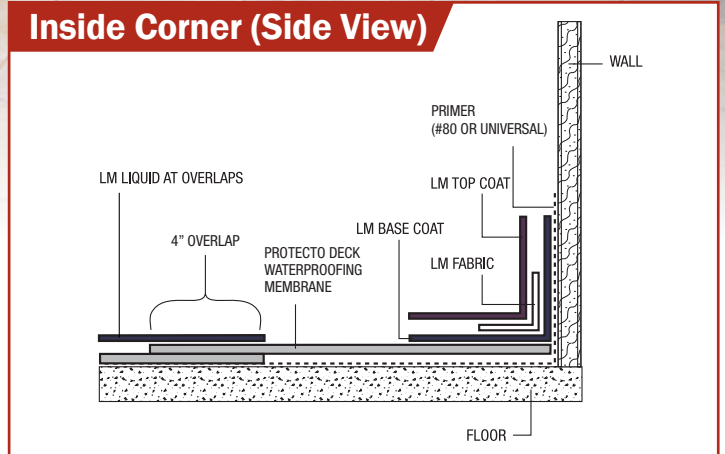
LIQUID DETAILING METHOD

Using Protecto LM Liquid and LM Fabric

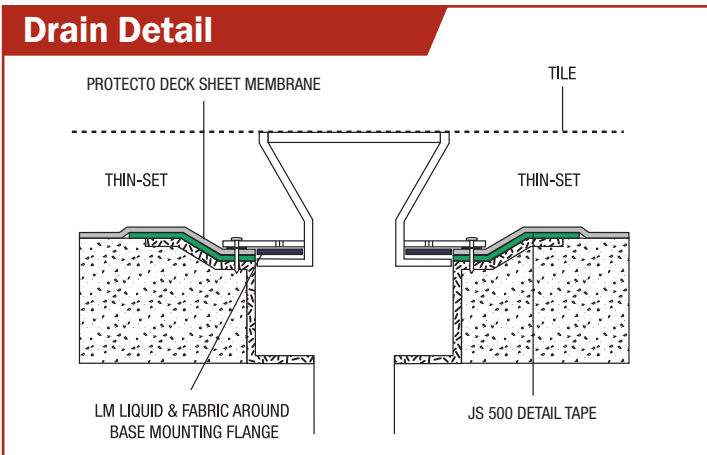
Front View #2



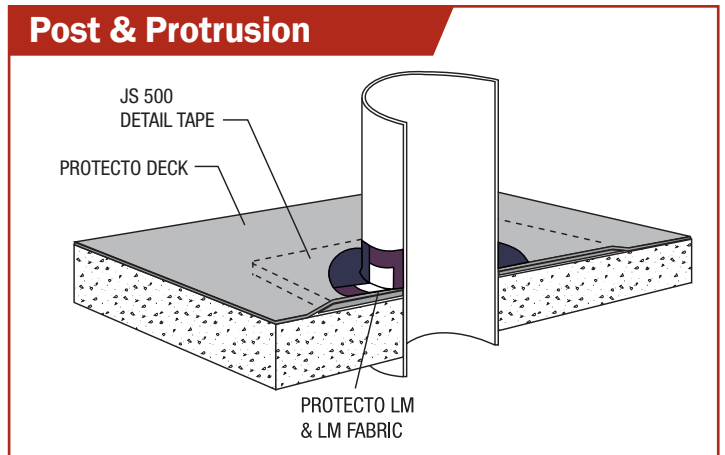
Inside Corner (Side View)



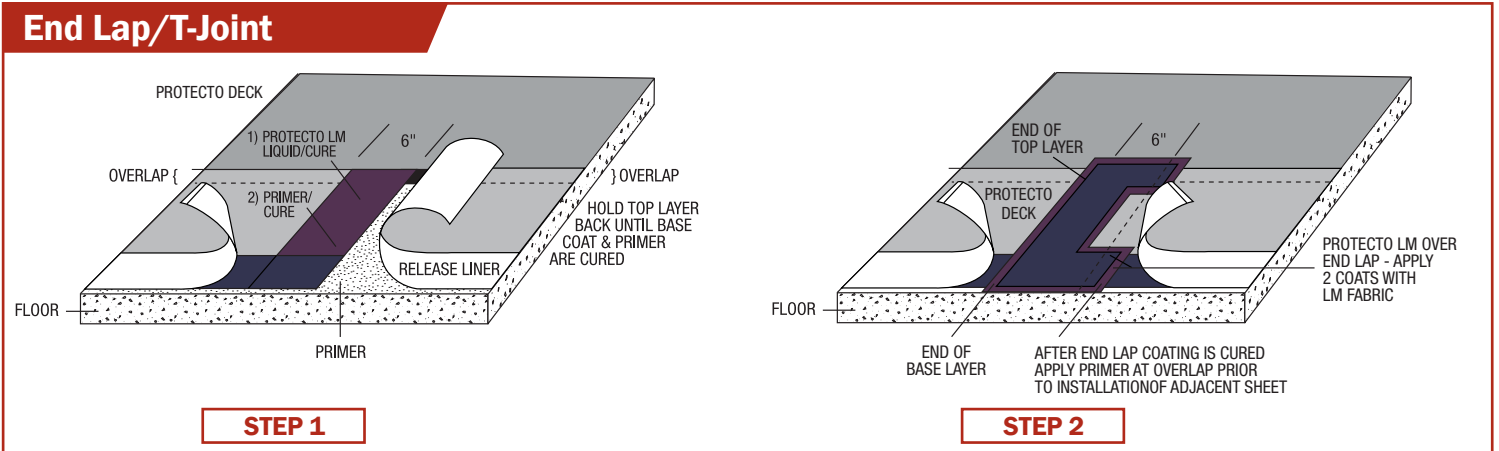
Drain Detail



Post & Protrusion



End Lap/T-Joint



STEP 1

STEP 2